

# Mattress Display Stands



[www.berfa.com.tr](http://www.berfa.com.tr)  
[info@berfa.com.tr](mailto:info@berfa.com.tr)

<b>INDEX</b>	Mattress Display Systems <b>04</b>	Mattress Headboard Display Systems <b>33</b>	Textile Display System <b>41</b>
Box Bed Display Systems <b>20</b>	Section Display Systems <b>31</b>	Pillow Display Systems <b>36</b>	Curtain Display Systems <b>44</b>

## Mattress Display Systems



### WHY TO PREFER MATTRESS DISPLAY SYSTEM?

- Enables you to display more mattresses in your stores.
- Enables you to get higher profit by enabling you to offer more choices to your customers.
- Capability of production for any size mattress.
- Capability of quick mattress switching.
- Minimum ground usage.
- Capability of lowering and lifting with extreme ease.
- Enables you to display 3-10 mattresses within space of 1 queen mattress.

COMPARISON CHART

COMPARISON CHART



Optional Mattress Display System



Functional Mattress Display System



Modular Mattress Display System



Standard Color Options



Contact sales representatives for different color options.

	OPTIONAL	FUNCTIONAL	MODULAR
Model Statement	CONSISTS OF DEPENDENT OUTER CASE AND INTERIOR MECHANISMS.	CONSISTS OF DEPENDENT OUTER CASE AND INTERIOR MECHANISMS.	CONSISTS OF INDEPENDENT MECHANISM WITH OR WITHOUT OUTER CASE.
Mechanism Type	BASIC MODEL	TELESCOPIC GUIDE RAIL SYSTEM	INDEPENDENT MECHANISM
Case Type	FIXED SIZE	FIXED SIZE	ADJUSTABLE SIZE OF LENGTH
Ground Usage	MAXIMUM GROUND USAGE	MEDIAL GROUND USAGE	MINIMUM GROUND USAGE.
Depth for 90x190 Mattress	145 CM	110 CM	95 CM
Height for 90x190 Mattress	240 CM	240 CM	220 CM WITH OUTER CASE, 205 CM WITHOUT CASE A.K.A MECHANISM ONLY
Mattress Mounting Type	ADJUSTABLE FABRIC BELT	ADJUSTABLE FABRIC BELT	ADJUSTABLE FABRIC BELT
Weight Balancing System	GAS SPRING	GAS SPRING	GAS SPRING

OPTIONAL MATTRESS DISPLAY SYSTEM



Depth: 145 cm (for 90 cm mattress)

Capability of quick mattress switching.



Standard Color Options



Contact sales representatives for different color options.

OPTIONAL MATTRESS DISPLAY SYSTEM



ART-UYK-OYS-106-000



ART-UYK-OYS-106-017  
B+C

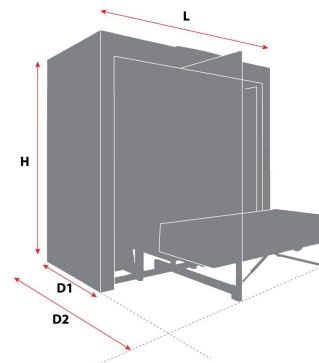


ART-UYK-OYS-106-009  
A+C+D

Technical Specifications

Mattress Size : **90x190**

Code	Capacity	H	D1	D2	L
		cm	cm	cm	cm
ART-UYK-OYS-103-000	3	240	145	253	170
ART-UYK-OYS-104-000	4	240	145	253	205
ART-UYK-OYS-105-000	5	240	145	253	240
ART-UYK-OYS-106-000	6	240	145	253	275
ART-UYK-OYS-107-000	7	240	145	253	310
ART-UYK-OYS-108-000	8	240	145	253	345
ART-UYK-OYS-109-000	9	240	145	253	380
ART-UYK-OYS-110-000	10	240	145	253	415



Yatak Ebadı Mattress Size	H <sub>x</sub>	D <sub>1x</sub>	D <sub>2x</sub>	L <sub>x</sub>
90x180	H-10cm	D <sub>1</sub>	D <sub>2</sub>	L
90x200	H+10cm	D <sub>1</sub>	D <sub>2</sub>	L
100x190	H	D <sub>1</sub> +10cm	D <sub>2</sub> +20cm	L
100x200	H+10cm	D <sub>1</sub> +10cm	D <sub>2</sub> +20cm	L

Please, contact sales representatives for the systems suitable for different mattress sizes.

## OPTIONAL MATTRESS DISPLAY SYSTEM

### Options

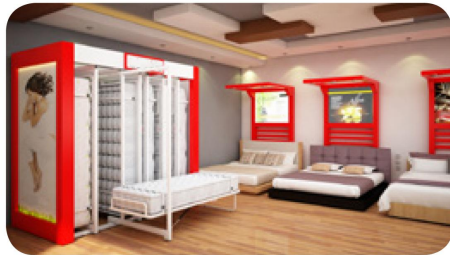


- A LED Logo Application
- B Sticker logo application.
- C Side poster application
- D Side LED lightning

Enables you to display more mattresses in store.

Enables you to get higher profit by enabling you to offer more choices to your customers.

Capability of production for any size mattress.



## OPTIONAL MATTRESS DISPLAY SYSTEM

### Sample Application





Depth: 110 cm (for 90 cm mattress)

Capability of quick mattress switching.

Compact ground usage.



Standard Color Options



Contact sales representatives for different color options.



ART-UYK-FYS-106-000



ART-UYK-FYS-106-017  
B+C

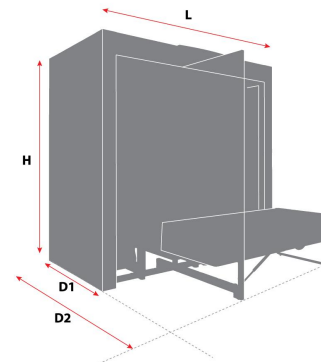


ART-UYK-FYS-106-009  
A+C+D

Technical Specifications

Mattress Size : **90x190**

Kod Code	Kapasite Capacity	H	D1	D2	L
		cm	cm	cm	cm
ART-UYK-FYS-103-000	3	240	110	220	170
ART-UYK-FYS-104-000	4	240	110	220	205
ART-UYK-FYS-105-000	5	240	110	220	240
ART-UYK-FYS-106-000	6	240	110	220	275
ART-UYK-FYS-107-000	7	240	110	220	310
ART-UYK-FYS-108-000	8	240	110	220	345
ART-UYK-FYS-109-000	9	240	110	220	380
ART-UYK-FYS-110-000	10	240	110	220	415



Yatak Ebadı Mattress Size	H <sub>x</sub>	D <sub>1x</sub>	D <sub>2x</sub>	L <sub>x</sub>
90x180	H-10cm	D <sub>1</sub>	D <sub>2</sub>	L
90x200	H+10cm	D <sub>1</sub>	D <sub>2</sub>	L
100x190	H	D <sub>1</sub> +10cm	D <sub>2</sub> +20cm	L
100x200	H+10cm	D <sub>1</sub> +10cm	D <sub>2</sub> +20cm	L

Please, contact sales representatives for the systems suitable for different mattress sizes.

FUNCTIONAL MATTRESS DISPLAY SYSTEM

Sample Application



Sound and Top Line Production

Mattress Display Systems





Depth: 95 cm (for 90 cm mattress)

Consists of independent mechanism with or without Outer case.



Standard Color Options



Contact sales representatives for different color options.



ART-UYK-MYS-106-006  
B+C

ART-UYK-MYS-106-007  
A+C+D

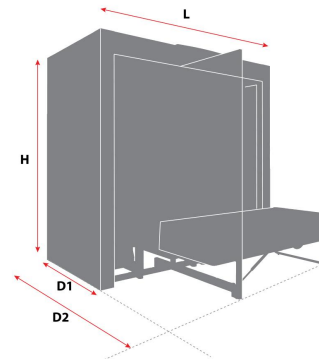
ART-UYK-MYS-106-002  
B+C

ART-UYK-MYS-106-003  
A+C+D

Technical Specifications

Mattress Size : **90x190**

Kod Code	Kapasite Capacity	HM	HK	D1	D2	L
		cm	cm	cm	cm	cm
ART-UYK-MYS-103-000	3	205	225	95	195	170
ART-UYK-MYS-104-000	4	205	225	95	195	220
ART-UYK-MYS-105-000	5	205	225	95	195	270
ART-UYK-MYS-106-000	6	205	225	95	195	320
ART-UYK-MYS-107-000	7	205	225	95	195	370
ART-UYK-MYS-108-000	8	205	225	95	195	420
ART-UYK-MYS-109-000	9	205	225	95	195	470
ART-UYK-MYS-110-000	10	205	225	95	195	520



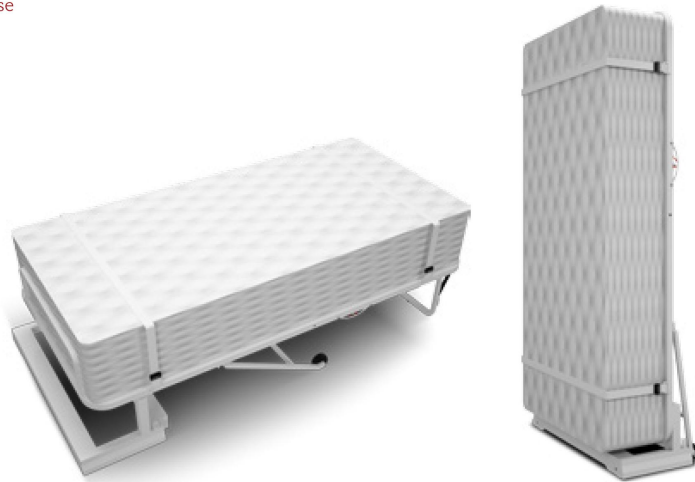
Yatak Ebadı Mattress Size	H <sub>x</sub>	D <sub>1x</sub>	D <sub>2x</sub>	L <sub>x</sub>
90x180	H-10cm	D <sub>1</sub>	D <sub>2</sub>	L
90x200	H+10cm	D <sub>1</sub>	D <sub>2</sub>	L
100x190	H	D <sub>1</sub> +10cm	D <sub>2</sub> +20cm	L
100x200	H+10cm	D <sub>1</sub> +10cm	D <sub>2</sub> +20cm	L

Please, contact sales representatives for the systems suitable for different mattress sizes.



- LED lightened signboard outer sides
- Outer sides have smooth radius.
- Adjustable case length.
- Minimum height of running: 210 cm (for 90x190 mattress).
- Outer case width: 95 cm (for 90x190 mattress).  
Running depth: 195 cm (for 90x190 mattress).
- Independent Mechanism

- With or without outer case
- Noiseless mechanism





Box Bed Display Systems

## WHY TO PREFER BOX BED DISPLAY SYSTEMS ?



Does not require assembling due to capability of standing alone.

Capability of assembling with extreme ease.

Capability of moving anywhere with extreme ease.

Includes a signboard spot.

Capability of replacing signboard poster with extreme ease.

Capability of electrostatic painting with or without wooden coating.

**BS-101**

BASE SHOW WITH HOOD



Technical Specifications

Kod Code	Kapasite Capacity	H	D	L
		cm	cm	cm
ART-UYK-BS-101-000	1 BAZA 1 BOX BED	230	143	120



Standard Color Options



Contact sales representatives for different color options.

Sample Application



Contact sales representatives for different color options.

**BS-102**

BASE SHOW WITH HOOD



Technical Specifications

Kod Code	Kapasite Capacity	H	D	L
		cm	cm	cm
ART-UYK-BS-102-000	1 BAZA 1 BOX BED	230	103	120

Standard Color Options



Contact sales representatives for different color options.

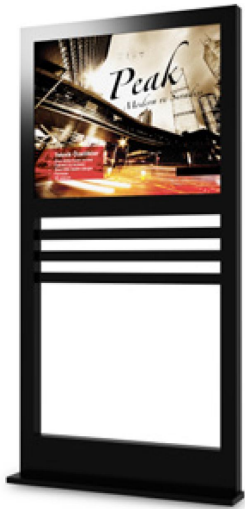
Sample Application



Contact sales representatives for different color options.

**BS-201**

BASE SHOW WITHOUT HOOD



Technical Specifications

Kod Code	Kapasite Capacity	H	D	L
		cm	cm	cm
ART-UYK-BS-201-000	1 BAZA 1 BOX BED	230	23	120



Standard Color Options



Contact sales representatives for different color options.

Sample Application



Contact sales representatives for different color options.

**BS-202**

BASE SHOW WITHOUT HOOD



Technical Specifications

Kod Code	Kapasite Capacity	H	D	L
		cm	cm	cm
ART-UYK-BS-202-000	1 BAZA 1 BOX BED	230	20	100



Standard Color Options



Contact sales representatives for different color options.

Sample Application



Contact sales representatives for different color options.

**BS-203**

BASE SHOW WITHOUT HOOD



Technical Specifications

Kod Code	Kapasite Capacity	H	D	L
ART-UYK-BS-203-000	1 BAZA 1 BOX BED	230	20	100



Standard Color Options



Contact sales representatives for different color options.

Sample Application



**BS-204**

BASE SHOW WITHOUT HOOD



Technical Specifications

Kod Code	Kapasite Capacity	H	D	L
ART-UYK-BS-204-000	1 BAZA 1 BOX BED	230	20	100



Standard Color Options



Contact sales representatives for different color options.

Sample Application



Contact sales representatives for different color options.



**BS-301**

BASE SHOW DOUBLE SIDED



Technical Specifications

Kod Code	Kapasite Capacity	H	D	L
ART-UYK-BS-301-000	2 BAZA 2 BOX BEDS	cm	cm	cm
		230	80	120



Standard Color Options



Contact sales representatives for different color options.

Sample Application



Contact sales representatives for different color options.

**PN-101**

LIGHTED BILLBOARD



Technical Specifications

Kod Code	Kapasite Capacity	H	D	L
ART-UYK-PN-101-000	1 BAZA 2 BOX BEDS	cm	cm	cm
		65	20	80

Standard Color Options



Contact sales representatives for different color options.

Sample Application



Contact sales representatives for different color options.

## PN-102

### LIGHTED BILLBOARD



#### Technical Specifications

Kod Code	Kapasite Capacity	H	D	L
ART-UYK-PN-102-000	1 BAZA 1 BOX BED	60 cm	10 cm	80 cm

#### Standard Color Options



Contact sales representatives for different color options.

#### Sample Application



Contact sales representatives for different color options.



#### Section Display Systems



SECTION DISPLAY RACK



Technical Specifications  
40x50 cm

Code	Capacity	H	D	L
		cm	cm	cm
ART-UYK-DS-104-000	4	170	50	60
ART-UYK-DS-105-000	5	190	50	60
ART-UYK-DS-106-000	6	220	50	60

Standard Color Options



Contact sales representatives for different color options.

Sample Application



Contact sales representatives for different color options.



Mattress Headboard Display Systems

WHY TO PREFER HEADBOARD DISPLAY SYSTEMS ?

- 4 wheels at the bottom enabling to move with extreme ease.
- Capability of moving anywhere with extreme ease.
- Capability of assembling two headboards on one car.
- Capability of combination with bed In case of collocation with mattress display.
- Does not require assembling.

Technical Specifications

Kod Code	Kapasite Capacity	H	D	L
ART-UYK-HDS-101-000	2	130	30	90

Standard Color Options



Contact sales representatives for different color options.



Sample Application





Pillow Display Systems

## WHY TO PREFER PILLOW DISPLAY SYSTEMS



A compact system within easy assembling.

Puts an end to untidy displaying of pillows.

Enables you to maximum pillows in minimum ground.

Does not require any installment on Wall/Ground

Capability of electrostatic painting in any color.

## YTS-506

### PILLOW DISPLAY RACK



#### Technical Specifications

Pillow Size : 40x70 cm

Kod Code	Kapasite Capacity	H	D1	D2	L
		cm	cm	cm	cm
ART-UYK-YTS-506-000	6	220	55	25	80

#### Standard Color Options



Contact sales representatives for different color options.

#### Sample Application

## YTS-510

### PILLOW DISPLAY RACK



#### Technical Specifications

Pillow Size : 40x70 cm

Kod Code	Kapasite Capacity	H	D	L
		cm	cm	cm
ART-UYK-YTS-510-000	10	210	50	151

#### Standard Color Options



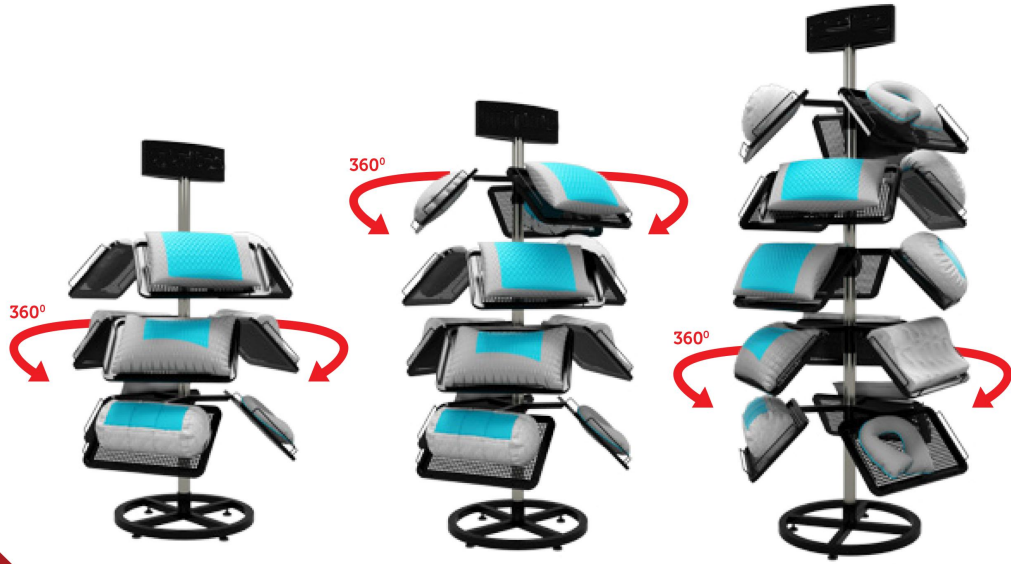
Contact sales representatives for different color options.

#### Sample Application



Contact sales representatives for different color options.

## CAROUSEL PILLOW DISPLAY SYSTEM



RPDS-109

Carousel Pillow Display System

RPDS-112

Carousel Pillow Display System

RPDS-115

Carousel Pillow Display System

### Technical Specifications

Pillow Size : 40x70 cm

Kod Code	Kapasite Capacity	H	D1	L
		cm	cm	cm
ART-UYK-RPDS-109-000	9	225	130	130
ART-UYK-RPDS-112-000	12	225	130	130
ART-UYK-RPDS-115-000	15	225	130	130

● Capability of production for any size pillow.



Standard Color Options



Contact sales representatives for different color options.



Textile Display System

## WHY TO PREFER TEXTILE DISPLAY SYSTEMS ?

A compact system within easy assembling.

Capability of displaying pillows, sheets and home textile remarkably.

Adjustable stand shelves.

Sheet hangers supported by telescopic jacks.

Enables you to display both packed and unpacked products in good shape.

Capability of manufacturing for stores in any size.

Capability of electrostatic painting in any color.

### Technical Specifications

Kod Code	Kapasite Capacity	H	D	L
		cm	cm	cm
ART-UYK-TSS-542-000		230	60	170

Customised design option.

Standard Color Options



Contact sales representatives for different color options.



### Sample Application





Curtain Display Systems



## CURTAIN RAIL SYSTEM (DOUBLE)



### Technical Specifications

Kod Code	Kapasite Capacity	H	D	L
		cm	cm	cm
ART-UYK-RPS-205-000	10	270	60	900
ART-UYK-RPS-210-000	20	270	120	900

### Standard Color Options



Contact sales representatives for different color options.

### Sample Application



Curtain Display Systems



info@berfa.com.tr

45

## CURTAIN RAIL SYSTEM (SINGLE)



### Technical Specifications



Standard Color Options

Kod Code	Kapasite Capacity	H	D	L
		cm	cm	cm
ART-UYK-RPS-105-000	5	270	60	600
ART-UYK-RPS-110-000	10	270	120	600

Contact sales representatives for different color options.

### Sample Application



Mattress Display Systems

Box Bed Display Systems

Mattress Headboard Display Systems

Section Display Systems

Pillow Display Systems

Textile Display System

Curtain Display Systems

Technological Display Solutions





Mattress Display Stands

[www.berfa.com.tr](http://www.berfa.com.tr)  
[info@berfa.com.tr](mailto:info@berfa.com.tr)